

Sacandaga Stove and Chimney

518-762-FIRE (3473)

BOSTONIAN™ E

ELECTRIC FIREPLACE



BOSTONIAN™ E ELECTRIC FIREPLACE



You Control the
Look Of The Fire



Flames set on slow speed with
Accent Light off.



Flames set on high speed with
Accent Light off.



Brick Accent Light turned off



Brick Accent Light set on high



Wilmington Face
in Brushed Pewter Finish with
Walnut Fireplace Cabinet

The Plug and Enjoy Fireplace

You can add the charm and warmth of a fireplace to your home - in about an hour!

The Bostonian E is easy to setup, just plug into any standard 110 volt wall outlet. Add a pre-built Fireplace Cabinet and within a few minutes you will be enjoying the incredibly realistic flames and flickering embers of a fireplace in virtually any room of your home.

You Control the Fire - One of the most remarkable features of the Bostonian E is the realistic appearance of flames and glowing embers. With your remote control you can change the speed of the flames between a slow, lazy fire to a fast roaring fire. You also have the ability to control the interior light brick pattern from off, with a dark firebox and flame, to a three dimensional brick lined firebox with dancing flames.

Added Heat - Need a little heat to warm up your home on that cold winter morning? Your Bostonian E provides you with gentle, even heat. The Bostonian E come standard with a 1500 W heater and air circulating fan that can provide a great supplemental heat source to a room (up to 300 sq. ft.)

Safe To Use - The Bostonian E features cool to touch glass and is completely safe for children. The Bostonian E provides a "Healthy Choice" by not contributing to indoor moisture or mold problems like vent-free gas products.

Instant Fireplace - Place an optional Fireplace Cabinet and you can have a fireplace installed in your home in a matter of minutes. Ideal for those locations in your home that you'd like a fireplace but cannot be easily vented, such as basements or interior walls. You can move your Bostonian E fireplace to any room, or take it with you if you move. This makes the fireplace perfect for apartments and condos.

Operate With-or-Without Heat - You have the option to use just the flame without the heat. This allows you true year round enjoyment of your fireplace!

Economical To Operate - On average the Bostonian E costs just \$.03 per hour to operate with flame only and \$.16 per hour with both flame and heat on when in continuous use.



Stunning, Quality Made Trim and Faces

Personalize the look of your fireplace! The Lopi Bostonian E is unique in the fact that you can personalize the look of your fireplace with one of five custom trim and face options.



Independence Trim
(Hand detailed wrought iron)

34 1/4" W x 28 1/2" H



Wilmington Face
(Black Painted Finish)

36 1/8" W x 29 1/8" H



Wilmington Face
(Black Painted Finish with Pewter Arabesque Grills)

36 1/8" W x 29 1/8" H



Wilmington Face
(Pewter Finish)

36 1/8" W x 29 1/8" H



Wilmington Face
(Pewter Finish with Pewter Arabesque Grills)

36 1/8" W x 29 1/8" H

Purifire™ Air Filtration System

Indoor air quality is one of the most important issues facing homeowner's. The Bostonian E addresses this critical issue with the Purifire™* Air Filtration System. Standard on all Bostonian E fireplaces, the Purifire™ Air Filtration System is designed to circulate as well as clean the air in an average room 4 times an hour. The easy-to-remove and washable filter is designed to remove impurities as small as 1 micron - which includes most mold spores, dust, pollen and pet dander.

Purifire is a registered Trademark of Dimplex NA



Simplest To Use Remote On The Market

The easy-to-use remote control allows you access to ALL the functions on your Bostonian E Fireplace - all from the comfort of your couch or easy chair!

- YOU CONTROL THE...**
- Flame ON/OFF & Speed Control
 - Programmable Thermostat
 - Interior Accent Light Adjustment
 - Sleep Timer
 - Purifire™ Air Filter
 - Child Lock-Out



BOSTONIAN™ E ELECTRIC FIREPLACE

INSTALLATION OPTIONS

You have two ways to finish the installation of your Bostonian Electric fireplace within your home. You can use one of our pre-built fireplace cabinet systems. Or you can build it into an existing wall or chase and finish with sheetrock or like a traditional fireplace with marble, stone or tile.

INSTALLATION WITH A PRE-BUILT FIREPLACE CABINET

If you are looking for an exceptional value, add one of our pre-built fireplace cabinet systems and you can have your new Bostonian Electric fireplace installed in less than one hour! These mantels allow the fireplace to be installed against any wall in your home. Pre-built Fireplace Cabinets make it easy to relocate your fireplace at any time. Take the beauty and heat to other rooms or take it with you if you move.

A 15 AMP, 110 VOLT wall outlet is required.
A dedicated circuit is preferred but not essential.

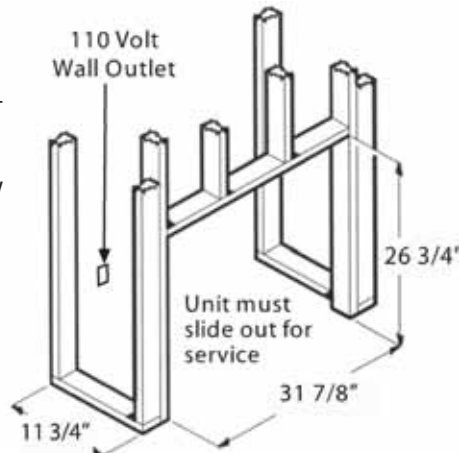
Fireplace Cabinet Dimensions:
52-5/8" Wide x 43" High, 17-1/2" Deep



INSTALLATION WITHOUT A FIREPLACE CABINET

If you want a flush-to-the-wall look for your fireplace, you have the option of building in or framing around your electric fireplace. When framing the enclosure you must follow the MINIMUM internal opening dimensions shown to the right.

The electric fireplace must be able to slide out for service. You must also provide a standard 15 AMP, 110 VOLT wall outlet, preferably on its own breaker, within the enclosure to allow the fireplace to be plugged in. The enclosure must allow the fireplace to be easily removed for service. This fireplace cannot be hardwired, it must be plugged into a wall outlet.



Flush-to-the-wall installation shown with a pre-built J. C. Huffman Windham Mantel and granite tile surround. Visit www.jchuffman.com.

CAUTION: Clearance for air

circulation beneath the fireplace is critical.

DO NOT INSTALL THE FIREPLACE DIRECTLY ON CARPET OR SIMILAR SURFACES WHICH MAY RESTRICT AIR CIRCULATION.

Your Lopi Authorized Dealer is Located At:



www.sacandagastoveandchimney.com

Visit us online at: www.lopfire.com

© Copyright T. I. 10/2007 Printed in U.S.A.

We reserve the right to improve or change our products without prior notification. Consult the Owner's Manual for complete installation requirements. Photos and illustrations are for descriptive purposes only.

#98800136